

Standard Pole Base

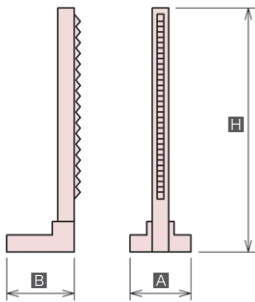


40mm Pole Base		
Model name	SB-401-580	SB-401-700
Base size A × B	127×161mm	
Height H	580mm	700mm
Weight	3.2kg	3.6kg

74mm Pole Base	
Model name	SB-741-1050
Base size A × B	200×320mm
Height H	1,050mm
Weight	19kg

* Water Collector Fitting MA-46 included

49mm Pole Base						
Model name	SB-493-600	SB-493-700	SB-491-810	SB-491-1000	SB-494-1000	SB-494-1035
Travel length	315mm	415mm	505mm	695mm	695mm	695mm
Weight	4.7kg	5.0kg	7.5kg	8.5kg	9.1kg	9.7kg

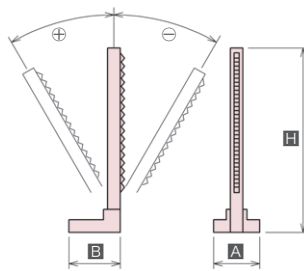


59mm Pole Base						
Model name	SB-594-800	SB-594-900	SB-594-1000	SB-594-1035	SB-594-1235	SB-594-1535
Base size A × B	180×265mm					
Height H	800mm	900mm	1,000mm	1,035mm	1,235mm	1,535mm
Weight	11.1kg	11.9kg	12.7kg	13.4kg	15.0kg	17.5kg

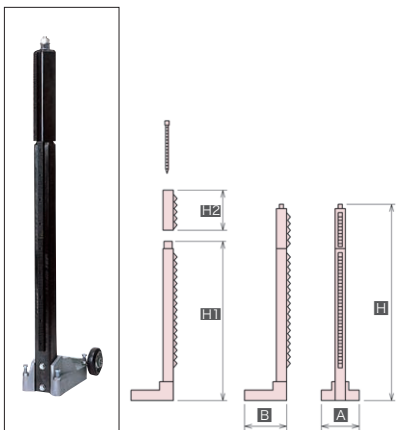
Angle Adjustable Pole Base



Pole size	40mm		49mm		59mm
Model name	AB-401-580	AB-401-700	AB-491-885	AB-491-1075	AB-591-1085
Base size A × B	135×190mm		185×250mm		190×295mm
Height H	580mm	700mm	849mm	1,075mm	1,087mm
Weight	4.1kg	4.5kg	10.5kg	11.5kg	18.3kg
Adjustment angle	Plus 0 to 45°		Minus 60° to plus 60°(15°intervals)		



Swiveling Pole Base



Pole size	49mm	59mm		74mm
Main pole model name	SB-494-1035	SB-594-1035	SB-594-1235	SB-594-1535
Sub pole model name	RP-491	RP-591		RB-741-1085
Base size A × B	177×217mm	180×265mm		200×320mm
Whole Height H	1,284mm	1,359mm	1,559mm	1,859mm
Main pole height H1	1,035mm		1,235mm	1,535mm
Sub pole height H2	260mm	340mm		374mm
Weight	11.9kg	16.8kg	18.4kg	20.9kg
				28.0kg

Coring

Core Drill
(Rig type)

Auto Feed
EHAC

Core Drill
Options

Diamond
Core Bit

Dry Hand
Core Drill

Cutting

Wall Cutter

Plunge Cutter

Wire Saw

Hydraulic
Unit