

PARTS LIST

ED-19

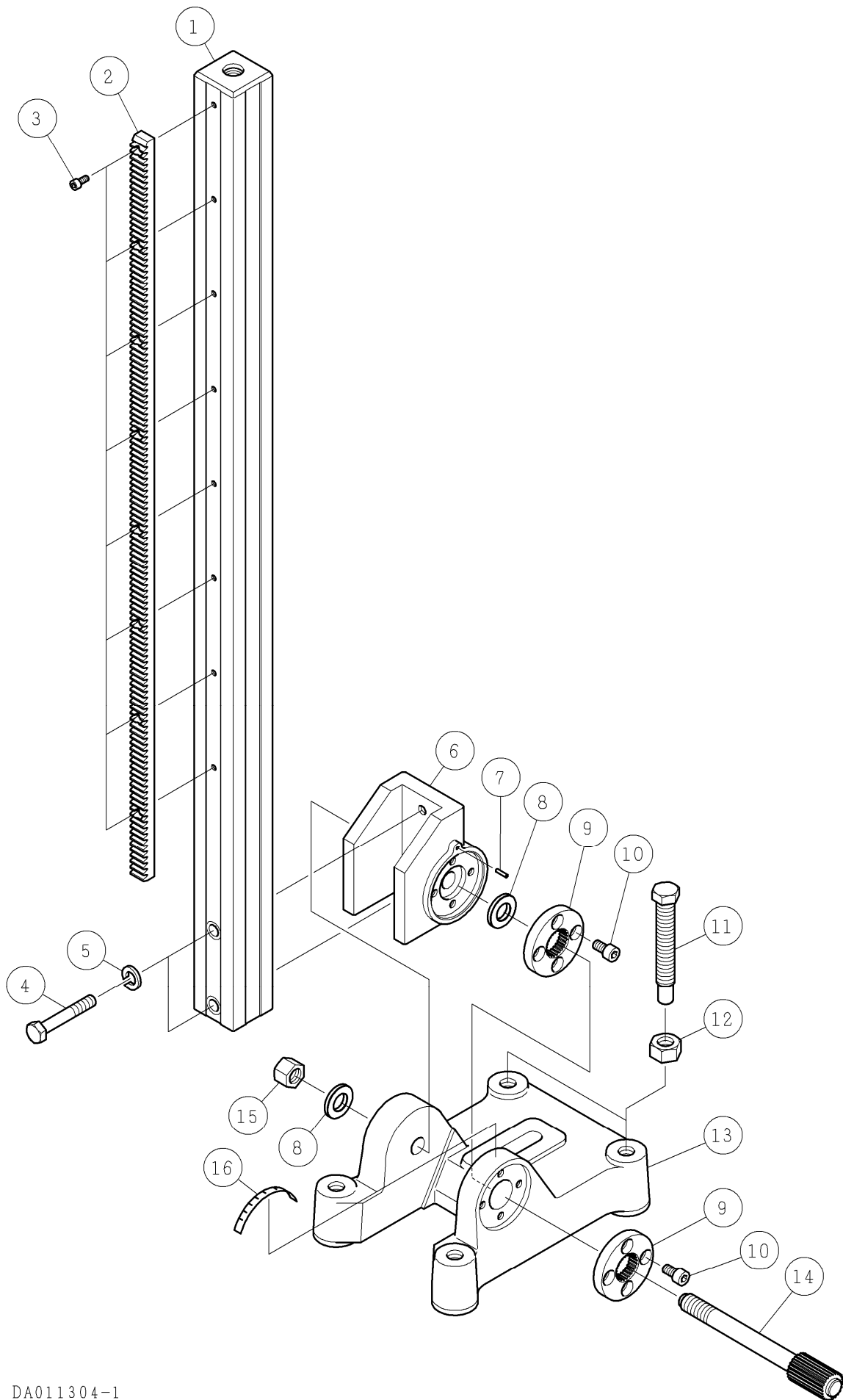
- 49 Angle Adjustable Base AB-491-850
- 49 Angle Adjustable Base AB-491-1040

⚠Notice

- 1) Please acknowledge, we will stop the replenishment of stocks of parts when seven (7) years have passed after sale or ten (10) years have passed after suspended production, therefore becoming parts supply only of our stock's worth.
- 2) "Listed each prices" are up dated one (date of the price correction), please acknowledge it will be changed in the future without any prior notice.

MARK	DATE OF	CONTENTS OF AMENDMENT
①	Oct.19.2018	Price revision No.9 and No.14 in the page 3.
②	Mar.22.2022	Changed No.4 in the page3

ISSUE : April 09, 2015**CONSEC CORPORATION**



NO.	CODE	DESCRIPTION / STANDARD	Q'TY	REMARKS	LIST PRICE EACH
1	002003323	Pole □49×805L	1	-850	¥14,400-
	002003457	Pole □49×995L	1	-1040	¥17,300-
2	002003324	Rack 2M×13.5×16×595L	1	-850	¥9,600-
	002003458	Rack 2M×13.5×16×784L	1	-1040	¥8,450-
3	003380512	Hex. Socket Head Cap Screw M5×12	7	-850	¥20-
	003380512	Hex. Socket Head Cap Screw M5×12	8	-1040	¥20-
4	003161294	Hex. Head Bolt M10×65 8.8T(Half Thread) ^(New)	2	After No.0322	¥300-
	003201065	Hex. Head Bolt M10×65 ^(Old)	2		¥120-
5	003341000	Spring Washer II 10	2		¥10-
6	002001087	Swiveling Block □49	1		¥17,000-
7	003320312	Spring Pin φ3×12	1		¥15-
8	002001093	Washer □49	2		¥1,220-
9	002001090	Serration Ring □49	2		¥9,700-
10	003380815	Hex. Socket Head Cap Screw M8×15	8		¥40-
11	002000992	Leveling Bolt M16×100 (Dihedral Width 21)	4		¥300-
12	003281600	Hex. Nut M16	4		¥50-
13	002001088	Base Main Body	1		¥32,200-
14	002001091	Clamping Bolt □49	1		¥9,500-
15	002001092	Hex. Nut Special M16	1		¥500-
16	002001089	Angle Indication Plate □49	1		¥200-